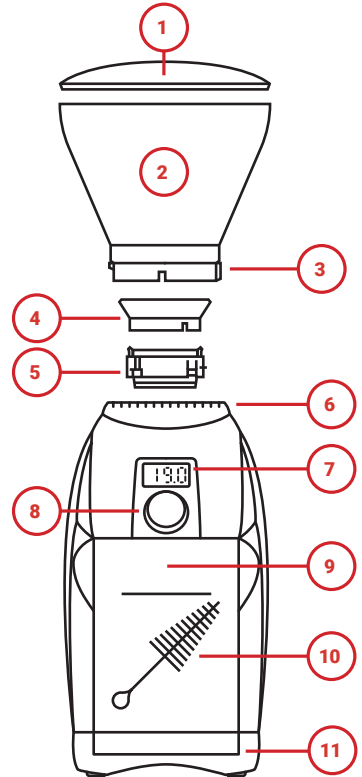


INITIAL SETUP

For the full manual, visit baratza.com/documentation

1. Hand-wash the hopper lid (1), hopper (2), black silicone gasket (4), and ground coffee bin (9) in warm, soapy water, and dry thoroughly. **Do not wash the removable ring burr (5) in water or it will rust.**
2. The ring burr (5) has a red tab and it should be pointing to grind setting 30.
3. **Be careful not to tear the gasket.** Place the gasket (4) on top of the ring burr (5), align the gasket notches with the ring burr tabs (one of which is red) and gently work the gasket down until it is seated on the top 1/8" (4mm) of the ring burr (5).
4. To install the hopper, ensure the silver grind setting indicator (3) is positioned to the right, and aligned with the black triangle marker on the case. Press the hopper down and twist clockwise to setting 20. You should hear the hopper click as it rotates.

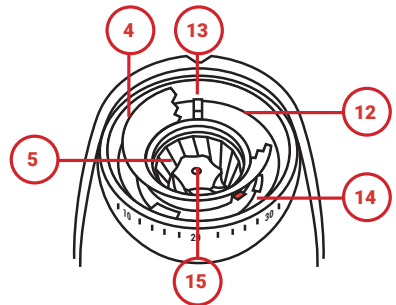
If Step 4 is not working well: The black grind adjustment ring (12) must be rotated fully counterclockwise for the hopper to install. You can rotate the grind adjustment ring (12) by hand, using the adjustment ring tabs (13) for leverage, if needed and then continue from step 3.



Parts Identification

- | | |
|-----------------------------------|-----------------------------------|
| 1. Hopper Lid | 30. Brush* |
| 2. Bean Hopper | 31. Weighted Base |
| 3. Grind Setting indicator | 32. Grind Adjustment Ring |
| 4. Black Silicone Gasket* | 33. Adjustment Ring Tab |
| 5. Removable Ring Burr | 34. Burr Alignment & Lifting Tabs |
| 6. Grind Adjustment Scale | 35. Center Cone Burr |
| 7. LED Display | |
| 8. Dial | |
| 9. Grounds Bin with Max Fill Line | |

* included in grounds bin



CHOOSING A GRIND SETTING

Rotate the hopper to adjust to your desired grind setting. When adjusting finer, the grinder must be running or completely empty of beans to prevent the adjustment system from binding on beans that are between the burrs. Below are some general settings to start with for a variety of brew methods. You will need to dial in the grind to your preference from here. **Additional information can be found at baratza.com/grinding-tips**

Finer Grind = lower numbers
Coarser Grind = higher numbers

	Espresso	AeroPress	Hario V60	Automatic Brewer	Chemex	French Press
Suggested Setting	8	12	15	18	20	28

Do not fill the grounds bin above the indicated fill line or the grinder may become plugged and require unlogging.

PROGRAMMING

See operations manual for full details: baratza.com/documentation

Grind time is adjusted by rotating the dial. Clockwise rotation increases grind time in 1.0 second increments, and counterclockwise rotation decreases grind time in 0.1 second increments. Rotate clockwise until just above the desired time, then rotate counterclockwise to the setting. **The adjustment range is a loop that continues from 40.0 to 1.0.** To manually grind, press the dial in for 3 seconds to enter Pulse mode, then press and hold the dial to grind. Rotating the dial exits pulse mode.

IF YOU NEED FURTHER SUPPORT:

In US & Canada contact
support@baratza.com
or 425-641-1245
or toll free 877-701-2021

If you think your grinder is not performing correctly, go to our troubleshooting guides at baratza.com/troubleshooting

Outside North America, the warranty is provided by the company you purchased from. For service, find the nearest importer at baratza.com/international-importers-and-retailers

SAFETY INFORMATION:

Please read the information below very carefully. It contains important safety information for this appliance. Please keep these instructions for future reference.

- ! Use only with AC current and the correct voltage. See the label on the base of the grinder to determine the correct voltage.
- ! Only clean the grinder housing with a dry or slightly damp cloth. Do not immerse the grinder, plug or cord in water or any other liquid.
- ! Baratza will not accept any liability for damage, injury, or warranty if the grinder is used other than for its intended purpose (i.e. grinding roasted whole coffee beans) or is improperly operated or repaired.
- ! Do not operate the grinder with a damaged cord or plug. If the supply cord is damaged, it must be replaced by the manufacturer, its service agent or similarly qualified persons in order to avoid a hazard.

- ! Keep the appliance and its cord out of reach of children aged less than 8 years.
- ! Do not leave your grinder unattended while turned ON.
- ! This appliance can be used by children aged from 8 years and above and persons with reduced physical, sensory or mental capabilities or lack of experience and knowledge if they have been given supervision or instruction concerning use of the appliance in a safe way and understand the hazards involved.
- ! Cleaning and user maintenance shall not be made by children without supervision.
- ! Always unplug the grinder from the electrical supply before assembling, disassembling or cleaning. To unplug, grasp plug and remove from the outlet. Never pull on the cord.
- ! **CAUTION:** ALWAYS unplug the electrical supply cord prior to cleaning the grinder.